

SERVICE



**EDS Elektronik Destek
Sanayi ve Ticaret Ltd. Şti.**

Meclis Mah. Teraziciler Cad.
Kılıç Sok. No:4 34785
Sarıgazi/ İstanbul
Tel. : +90 216 528 45 00
Fax : +90 216 314 17 80
www.eds.com.tr eds@eds.com.tr



Technical Specifications

Model	AS 295L	AS395L
Operating voltage	13VDC	
Stand-by current	60mA	
Alarm current	420mA/600mA	
Voice output	110dB(1m)	120dB(1m)
Voice frequency	1.8-2.8KHz	
Buzzer	GF0877ME 8R	39/A 8R
Trigger type	Negative	
Flasher trigger	TK-31	
Light output	100.000p/LUM	
Flasher life	1.000.000	
Flasher frequency	120/min.	
Colour of flasher	Red, blue, orange	
LED display	Available	
Tamper	Available	
In cover protection	Available	
Battery	12V/1.2Ah	
Environment	Outdoor	
Housing	ABS plastic	
colors of housing	White, Metallic gray	
Dimensions	240x235x90mm	
Weight	2.1Kg	2.4Kg
Operating temperature	-25°C ~ +60°C	

Mount

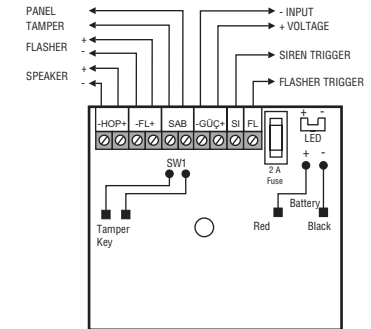
1. Locate its place on the wall as shown on the screw wrapping box (figure 1).
2. Wire supply, sabotage and signal connections with the aid of connections diagram which is on protective metal cover.
3. Stick circular isolation material -is given next to the flasher- out of the sheet cover and below the flasher on the sheet cover using washer and wing nut. Do electrical connection to siren card and locate its place after completing battery connections (figure-2).
4. Put the protective metal cover on assembly tableau which was assembled on the wall. While doing this make sure that the splits (on the cover) at level on siren and the cables shouldn't be caught in between. Finish up assembling of cover (figure-3) with two 3.5x9.5 sheet screws (given with set).
5. Put white external cover its place and screw it with a m5x20 screw and then locate the red flasher cover its place.

Connections

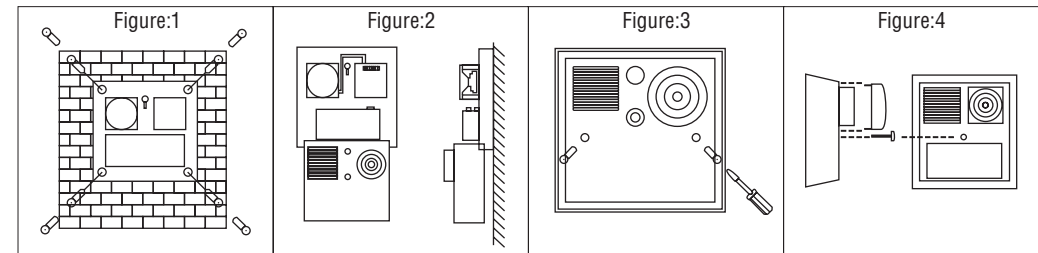
Warning:

** only AS295AL

Flasher Connection: Red :FL +
White :FL -
Black :Güç -



Mounting



Panel Connections

