

SK-30

ACCESS KEYPAD



Microprocesor controlled.

Programmable digital keypad for use stand alone access control or remote control applications. Prevents unauthorized access to the protected zone and equipment.

It is totally reliable and has a ruggedness to match.

Up to 30 user codes.

Up to 7 digit for each user code.

12VDC and 24VDC options

If there is a short of electricity, all informations are kept in the memory.

Specifications

Technical specifications

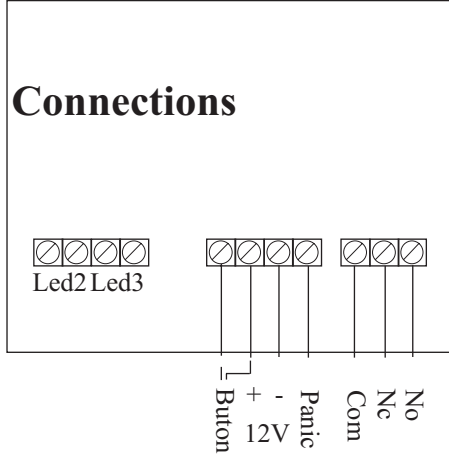
Operating voltage	:12VDC/24VDC
Power consumption(stand-by)	:0.21W
Power consumption(alarm)	:0.75W
Current (current consumption)	:10mA
Current (current comp.with relay in)	:65mA
Housing	:ABS plastic
Dimensions	:113x113x23mm
Weight	:165gr

Environmental

Operating temperature	:-10 C ~ +45 C
-----------------------	----------------

SK-30

ACCESS KEYPAD



General

Microprocessor control	:Mevcut
User password	:30pcs
Number of password	:7 digit
Main password	:Available
Deleting main password	:Not available
Deleting user password	:Available
Deleting all user password	:Available
Keypad	:On it self
Keypad type	:Silicon keypad
Output	:Relay, panic
Connections	:With cable
Relay output duration	:1-98sec.
Programmable panic alarm	:Available
Panic output triggered by pressing * and # keys	:Available
Trap number	:Mevcut
Lighting	:Automatic
Buzzer	:Available
Indicator	:3 pcs.LED

• Technical specifications are subject to change without prior notice.